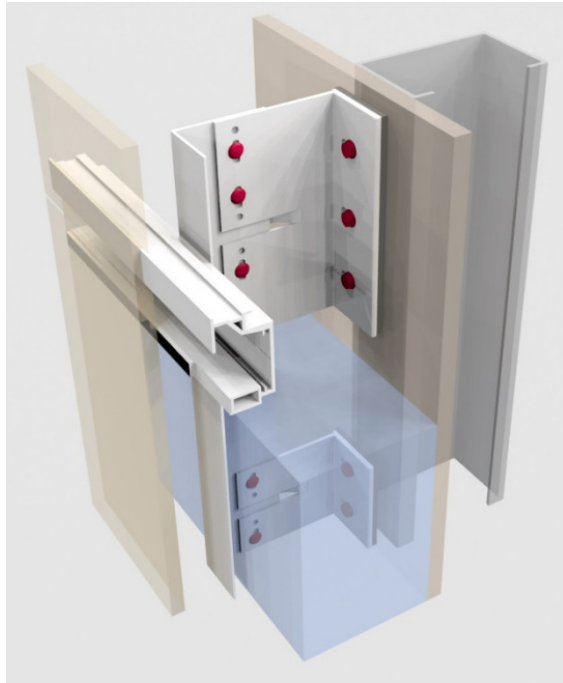


# kladfix

www.kladfix.com

## Method Statement - Installation Guide KX05 (Trespa TS300)



### General Description

Kladfix Systems Profiles and Components are designed to provide a vertical support framework to support “Trespa” Meteor Panels to any suitable building facade. These profiles are anchored to the building using a purpose designed Kladfix bracket that allows for final alignment and adjustment.

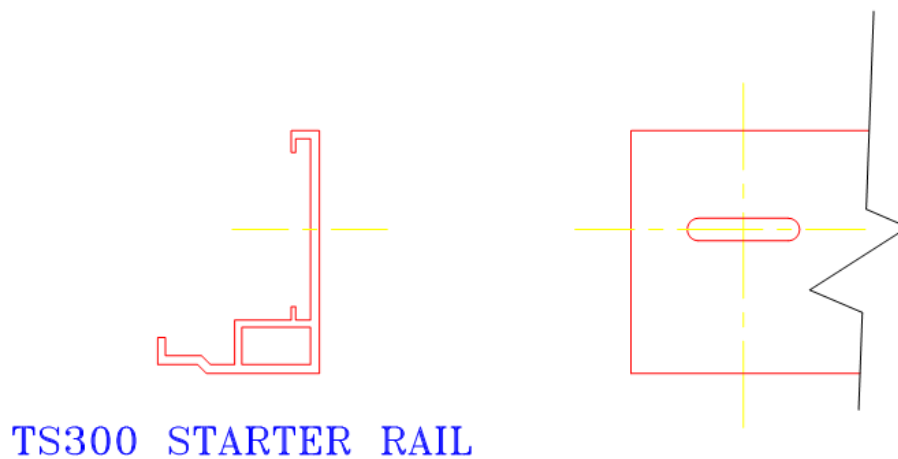
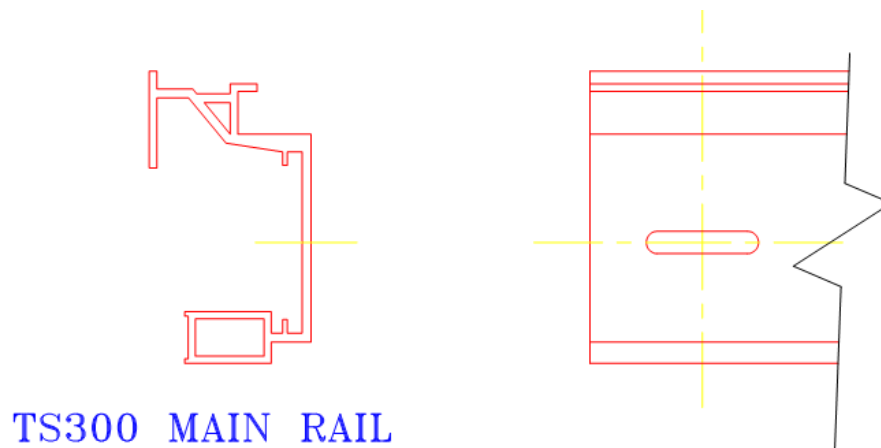
## Kladfix Components

Two KX05 (TS300) Horizontal Profiles are supplied 1. A Starter Profile, and 2. A main Profile

Kladfix Brackets are supplied in different sizes ranging from 40mm - 300mm [see table for cavity depths that can be formed.]

Kladfix Brackets are available with hole-sizes 11mm or 6.5mm depending on the substrate being fixed to / the diameter of the primary anchor required.

Horizontal KX05 (TS300) profiles for the Trespa Panels are secured in position with self-drilling self-tapping screws or rivets.



## Table of Bracket Sizes

Refer to [www.kladfix.com](http://www.kladfix.com)

### Primary Fixings

The Kladfix system Brackets are secured directly to a new or existing substrate of concrete, brickwork / blockwork, steel frames or timber frames. Suitable primary anchors are employed to position the Brackets to a pre-determined grid to suit the Trespa Panel layout.

If lightweight steel framing systems like Purlins or a Track / Stud frameworks are employed for this system, then it is important that this framework is erected to the same grid as stud layout and that an engineered fixing device is used to fix the Brackets. In addition, if there is no sheathing board, the isolation of two different metals must be considered. The use of an Kladfix isolator pad will achieve this. – see [www.kladfix.com](http://www.kladfix.com)

**Important:** the size and type of primary fixing for the Connectors will **always** be determined by the dynamic and dead loads they have to resist.

Kladfix can determine bracket and rail position – see ‘Project Check List’

A calculation will show rail and bracket centres to suit your project with given information for building heights wall condition wind loads etc. taken into account.

### Vertical Rails

Once a line of vertical Brackets is installed, the 50 x 50 x 2.2 Kladfix “L” profile can be attached using stainless steel fixing screws. It is important that time is taken to align / level the framework to a high standard as the system does not have any adjustment for each individual panel.

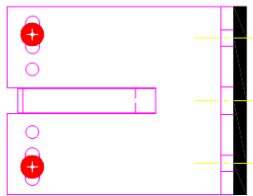
- Each Profile should be cut to the required length.
- Move the profile into its vertical position - allowing 10mm 'expansion' between profiles.
- Position Profiles - ensuring that they are pushed into the helping 'fingers'.
- The Profile can then be eased outwards to form the specified cavity depth.
- Secure the Profiles using screws in the 'hole' or 'slots' \*\*

### Important

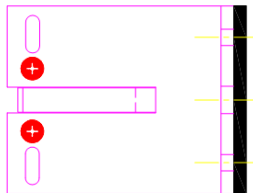
Generally, Profiles are cut to lengths that reflect the height of the panel(s) that are going to be hung on them. Typically storey-height profiles are cut so that the Panel(s) are located on one set of vertical profiles and does not 'bridge' an expansion gap between two profiles.

\*\*As each Profile is secured to the Brackets ONE, near the centre of the profile, MUST be connected with fixings going through the HOLES. [Fixed Point] ALL other brackets should then be fixed in the SLOTS [Sliding point]

For precise fixed point and sliding points – Speak to Kladfix for a project specific static calculation to be prepared



SLIDING POINT



FIXED POINT

Once all Brackets and Profiles are installed to an area of cladding, final checks should be carried out: -

- On the primary anchor torque settings
- To the line and level of the profiles in relation to each other.
- To the number of screws and their position in each Bracket.

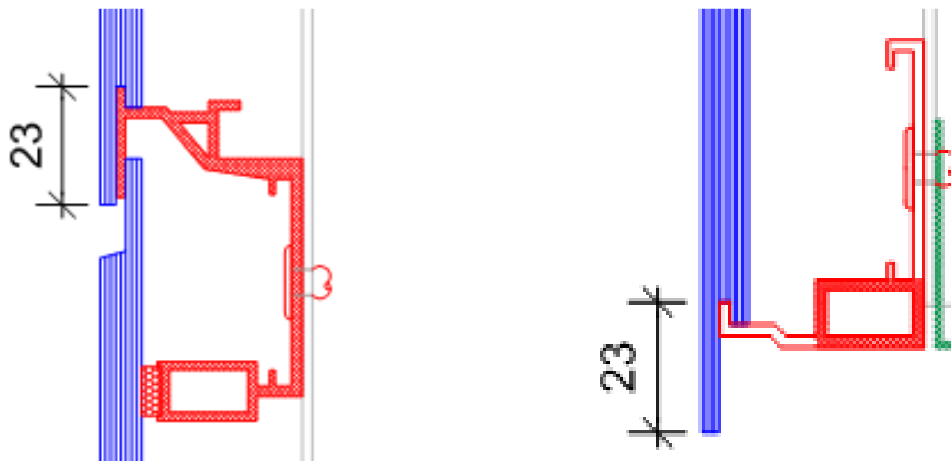
## KX05 (TS300) Profiles

The position of the Profiles reflects the Trespa Meteon panel sizes up to maximum dimensions as set out by Trespa.

Thickness	Panel height	Panel length
8 mm	600 mm	3650 mm
10 mm	750 mm	3650 mm
13 mm	900 mm	3650 mm

Horizontal datum lines should be projected across the elevation and the position of the Profiles set out.

Note: Each panel should be positioned by locating the upper edge of the panel under the upper rail and then pushing the lower panel edge against the resistance of the Foam tape and then sliding the panel down to locate on the lower main or starter profile, after initial checking for fit a 50mm length of adhesive should be placed on the lower profile in the centre of each panel to prevent panel movement to allow expansion of the Trespa panel.



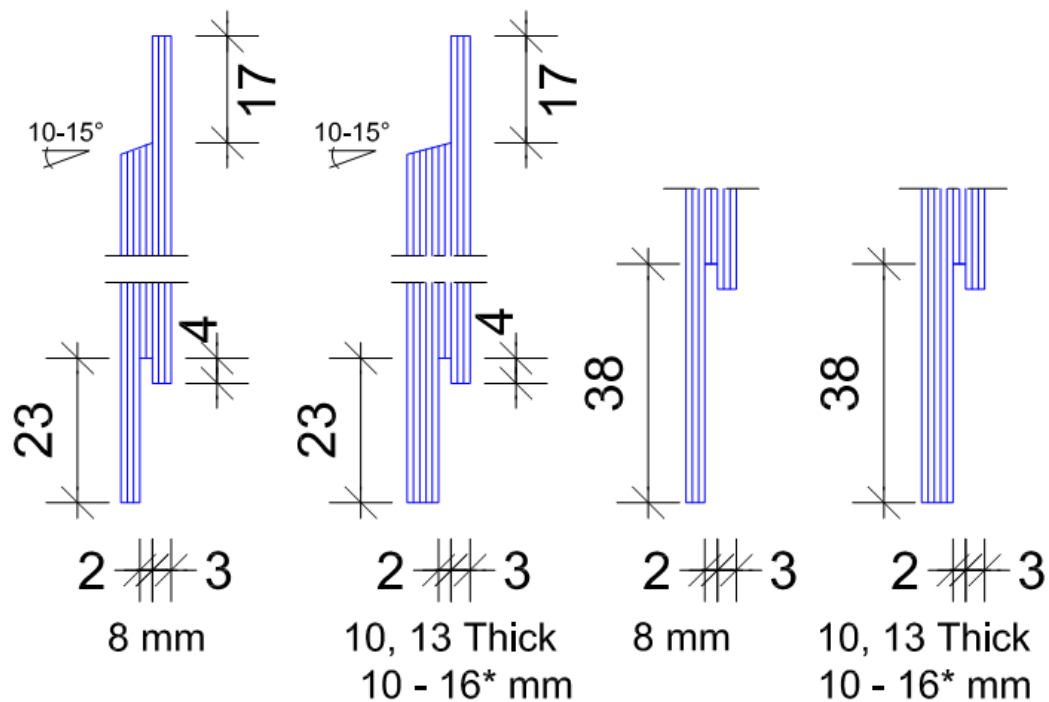
## Tolerance of rail set out

The dimension between horizontal rails can be up to a maximum of +/- 2mm on the panel dimension which should be discussed with the panel cutting manufacture. Also to suit the architects building panel layout.

## Trespa Meteon Panels

Panels should be fabricated to the Standard Trespa / KLADFIX Designs illustrated below. Importantly the cut - out at the top and bottom are critical to the installation of these Panels on to Kladfix KX05 Trespa TS300 system.

### Panel forms



\* Originals panels

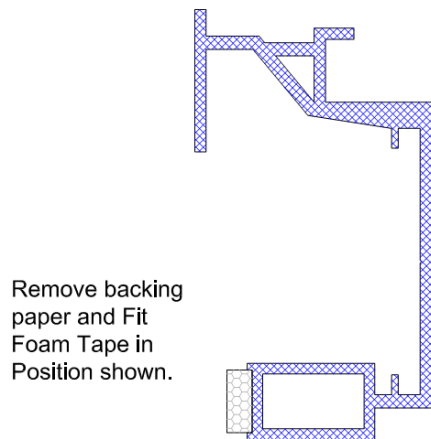
For further details please refer to [www.trespa/info](http://www.trespa/info) and [www.trespa.com](http://www.trespa.com)

## Insulation

Where insulation is specified, it should be cut and tightly butted around the brackets and secured with the appropriate fixings. Sufficient insulation fixings should be provided to ensure that the insulation cannot block the ventilated cavity.

## TS300 Main Rail

The main rail is delivered with sufficient tape to suit total rail lengths as ordered.



TS 300 Main Support Rail  
ref 05/TS300/MR

We reserve the right to technical modifications no responsibility is taken for detail changes or printing mistakes of the details provided.

Kladfix  
Unit 10 Blenheim Court  
Brownfields  
Welwyn Garden City  
Herts  
AL7 1AD

01707 808 129

[www.kladfix.com](http://www.kladfix.com)



high quality • value • cladding systems