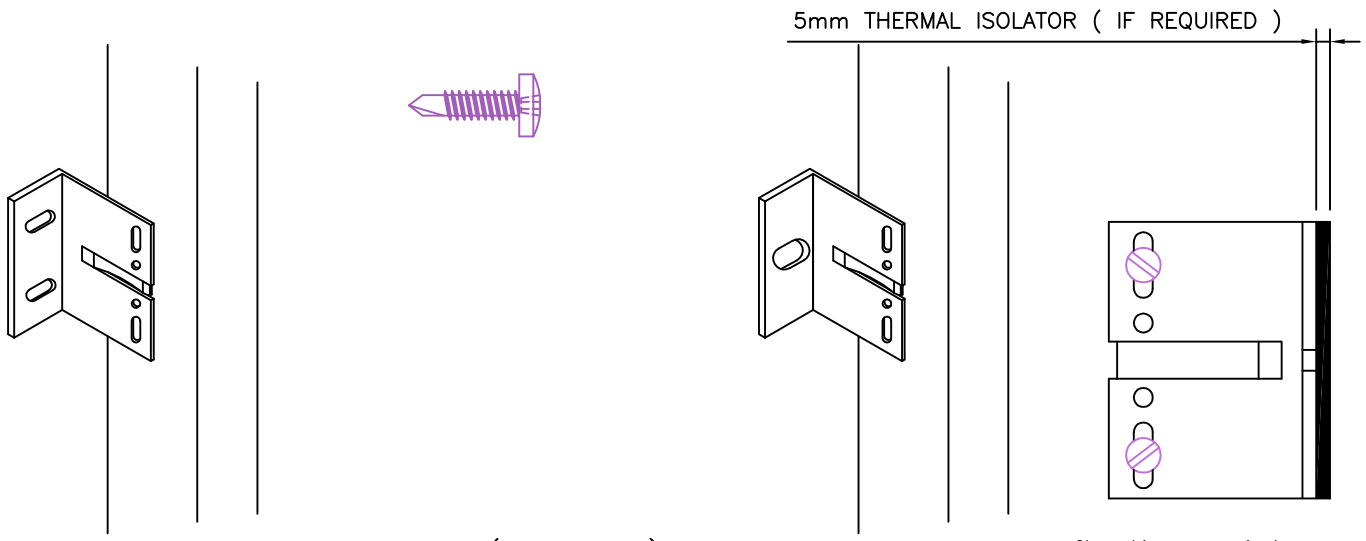


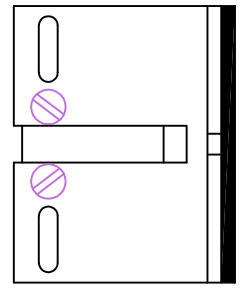
KLADFIX SR2 (4.2 x 16) Stainless Steel screws must be fitted in either 2 holes fixed point or 2 slots floating point into either "L" or "T" rail



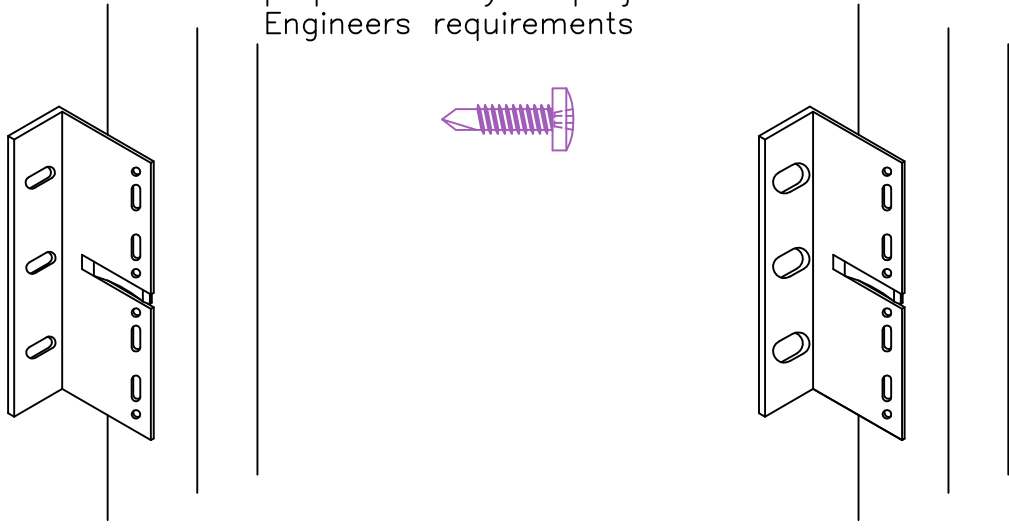
KLADFIX SR2 (4.2 x 16) Stainless Steel screws must be fitted in either 4 holes fixed point or 4 slots floating point into "L" or "T" rail

floating point

Refer to KLADFIX Static calculations prepared for your project or to Structural Engineers requirements



fixed point



6.5mm slots for steel / timber /SIPS substrate

11mm slots for concrete / blockwork substrate

